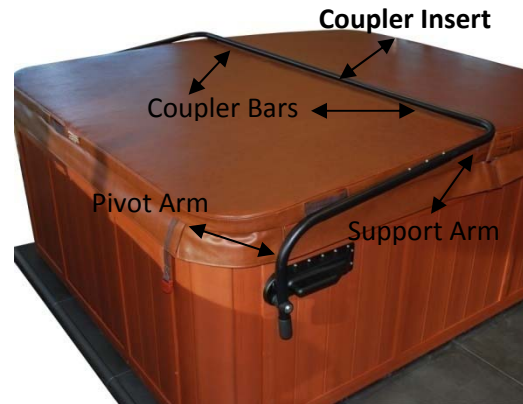
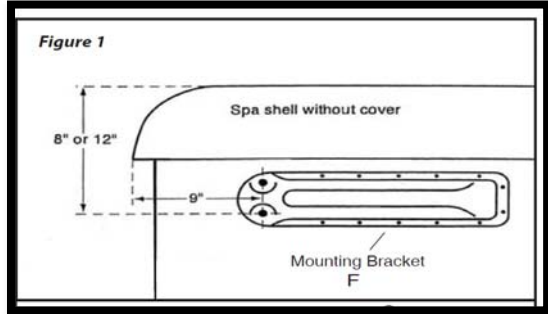


CoverMate I ECO



Includes

- Black powder-coated, rust-free aluminum tubing
- Full-length middle aluminum crossbar
- Euro-styled composite, non-corrosive mounting brackets (same as the CoverMate I Brackets)
- Works well with smaller spas

- | |
|--|
| ○ Required 10 to 15 inches clearance behind spa |
| ○ Requires 4 to 5 inches clearance on each side of the spa |
| ○ Fits virtually any spa from 6 feet to 8 feet in length and width |
| ○ If bracket is mounted 8" down from the top of the spa, 75% of cover will be above the spa |
| ○ If bracket is mounted 12" down from the top of the spa, 50% of cover will be above the spa (about 2" higher than the CMII) |

CMI vs. CMI ECO

- "Scaled down version of CMI"
- Made with the same high quality aluminum as CMI
- Same brackets are used as CMI
- Utilizes a 3-piece coupler bar instead of a 1-piece coupler bar that the CMI uses
- Support arms are shorter
- Does not include TowelMate, foam grips or small black dome caps that go over the screws

Dimensions

- ✓ Plastic Bracket: 14 ¼" L x 4 ¼" W - same as CoverMate I
- ✓ Support Arm: 20" L x 40" W x 1 1/8" diameter
- ✓ Pivot Arm: 26" L x 13 ½" W
- ✓ Coupler Bar (2 per lift): 31"
- ✓ Coupler Insert: 29"